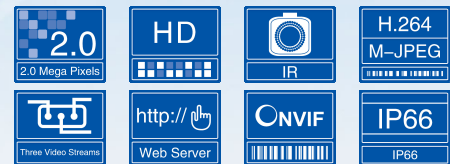


# V1772NR-T Series

## HD Megapixel IR IP PTZ Dome Camera

**Infinova**<sup>®</sup>  
The Integrator's Manufacturer



- Supports 18X, 20X and 30X HD integrated camera modules
- Maximum resolution up to 1920×1080 @ 30fps or 1280×720 @ 30fps
- Supports H.264 high profile & M-JPEG dual-stream encoding, three simultaneous video streams
- Two-way audio, G.711-U/G.711-A
- Remote PTZ Control via network
- Supports area zoom, digital zoom (controlled by ActiveX in web) and image PTZ function
- Supports dome title settings and display
- Supports image overlapping
- Multiple white balance modes
- Supports defog processing
- Supports preset, pattern, autoscan, autopan, timed tour, normal tour and home return
- Supports privacy mask and motion detection
- Heartbeat loss monitoring, linkable to SD card recording
- 2 alarm inputs and 1 relay output
- Local recording; multicast
- SD card storage
- Standard SDK, easily to be integrated with other digital systems
- Onvif Profile S
- RS-485 control and analog video output for easy adjustment
- Built-in high-power IR illuminator, with the wavelength of 850nm
- Excellent brightness with the night visual range up to 150m.
- Flexible IR illuminator switch for various occasions
- The power consumption of the IR illuminator can be automatically or manually adjusted according to the zoom level of the dome drive, thus delivering a perfect night vision effect
- Wiper included
- Outdoor IP66 rating, with built-in heater and air cycle system and freeze-proof
- Supports remote upgrade

Infinova's V1772NR-T series HD megapixel IR IP PTZ domes provide users a high-definition, high frame rate and high SNR real-time images acquisition system. The domes provide the ability to view and control H.264 High profile/M-JPEG dual-stream encoded HD video, and also support three video streams. The maximum resolutions can be 1920×1080 @ 30fps or 1280×720 @ 30fps.

The dome adopts high-power LED illuminators with the wavelength of 850nm. It has excellent brightness with the night visual range up to 150m. The IR illuminator can be adjusted automatically or manually according to the lighting condition thus to reduce power consumption and prolong the lifespan of the device.

The user-friendly GUI interface is designed for easy PTZ control and convenient camera parameter settings. Thus, it is easier to set the PTZ and perform operations with a mouse than traditional keyboard. In addition, area zoom and image PTZ are also offered.

Infinova's V1772NR-T series domes also provide functions such as preset, pattern, autopan, autoscan, timed tour, normal tour, etc.

# Technical specifications

Model	
V1772NR-18T0H, V1772NR-20T2L, V1772NR-20T2T, V1772NR-30T2H, V1772NR-20T2Y, V1772NR-30T2Y	
Lens	
Optical Zoom	18X, 20X, 30X
Digital Zoom	16X
Aperture/ Focal Length	F1.6~F2.8, f=4.7~84.6mm (18T0H) F1.6~F3.5, f=4.7~94mm (20T2L, 20T2T) F1.4~F4.6, f=4.4~132mm (30T2H) F1.6~F3.5, f=4.7~94mm (20T2Y) F1.6~F4.7, f= 4.3~129mm (30T2Y)
Angle of View (H)	18T0H: 59.7° (Wide) ~3.6° (Tele) 20T2L: 59.5° (Wide) ~3.2° (Tele) 20T2T: 59.6° (Wide) ~3.2° (Tele) 20T2Y: 59.5° (Wide) ~3.3° (Tele) 30T2H: 63.4° (Wide) ~2.3° (Tele) 30T2Y: 63.7° (Wide) ~2.3° (Tele)
Min. Work Distance	0.01m ( Wide ) ~ 1.0m (Tele) 0.01m ( Wide ) ~ 1.5m (Tele) for 30T2H 0.01m (Wide) ~ 1.2 m (Tele) for 30T2Y
Camera Parameters	
Image Sensor	18T0H: 1/3" CCD 20T2L: 1/2.8" CMOS 20T2T: 1/2.8" CMOS 20T2Y: 1/2.8" CMOS 30T2H: 1/3" CMOS 30T2Y: 1/2.8" CMOS
Scanning System	Progressive scanning
Effective Pixels	1.0MP (18T0H) 2.0MP (20T2L, 20T2T, 20T2Y, 30T2H, 30T2Y)
S/N Ratio	>50dB
Sensitivity (18T0H)	Color mode: 0.8 lux (1/30s, F1.6, 50%, AGC-Gain: 34dB) 0.1 lux (1/4s, F1.6, 50%, AGC-Gain: 34dB) B/W mode: 0.01 lux (1/4s, F1.6, 50%, AGC-Gain: 34dB) 0 lux (IR ON)
Sensitivity (20T2L)	Color mode: 0.04 lux @ F1.6 (AGC ON) B/W mode: 0.005 lux @ F1.6 (AGC ON) 0 lux (IR ON)
Sensitivity (20T2T)	Color mode: 0.4 lux @ F1.6 (1/30s, 350mV equiv., AGC-Gain: 48dB) 0.1 lux @ F1.6 (1/8s, 350mV equiv., AGC-Gain: 48dB) B/W mode: 0.01 lux @ F1.6 (1/8s, 350mV equiv., AGC-Gain: 48dB) 0 lux (IR ON)
Sensitivity (20T2Y)	Color mode: 0.01 lux (1/30 sec, 50%, high sens mode ON) 0.0013 lux (1/4 sec (1/3 sec), 50%, high sens mode ON) B/W mode: 0.0015 lux (1/30 sec, 50%, high sens mode ON) 0.0008 lux (1/4 sec, 1/3 sec, 30%, high sens mode ON) 0 lux (IR ON)
Sensitivity (30T2H)	Color mode: 0.4 lux @ F1.4 (1/30s, 350mV equiv., AGC-Gain: 48dB) 0.1 lux @ F1.4 (1/8s, 350mV equiv., AGC-Gain: 48dB) B/W mode: 0.01 lux @ F1.4 (1/8s, 350mV equiv., AGC-Gain: 48dB) 0 lux (IR ON)
Sensitivity (30T2Y)	Color mode: 0.01 lux (1/30 s, 50%, high sens mode ON) 0.0013 lux (1/4 s, 1/3 s, 50%, high sens mode ON) B/W mode: 0.0015 lux (1/30 s, 50%, high sens mode ON) 0.0008 lux (1/4 s, 1/3 s, 30%, high sens mode ON) 0 lux (IR ON)
Sync System	Internal
Camera Functions	
Privacy Mask	4 areas (18T0H, 20T2T) 16 areas (20T2L, 30T2H) 24 areas (20T2Y, 30T2Y)
Iris	Auto, Manual, M/A
Focus	Auto, Manual, M/A

Shutter	18T0H: Auto: 1/30 ~ 1/10000s 20T2L: Auto: 1/25 ~ 1/10000s 20T2T: Auto: 1/1.5 ~ 1/30000s 30T2H: Auto: 1/1.5 ~ 1/30000s 20T2Y: Auto (1/1s ~ 1/10000s, adjustable) 30T2Y: Auto (1/1s ~ 1/10000s, adjustable)
DSS	Available (20T2L, 20T2T, 30T2H, 20T2Y, 30T2Y)
Image Mirror	Off/H-mirror (18T0H) Off/H-mirror/V-mirror/HV-mirror (20T2L, 20T2T, 30T2H, 20T2Y, 30T2Y)
Image Freeze	Available (20T2T, 30T2H, 20T2Y, 30T2Y)
DNR	18T0H: / 20T2L: OFF/1~7 adjustable 20T2T: OFF/Auto/Manual (level 1~3 adjustable) 20T2Y: Off/ 1~5 levels adjustable 30T2H: OFF/Auto/Manual (level 1~3 adjustable) 30T2Y: Off/ 1~5 levels adjustable
White Balance	AUTO/MANU/MERC/SODI (18T0H, 20T2T, 30T2H) AUTO/MANU/INDOOR/OUTDOOR/ATW/OUTDOOR AUTO/SODI AUTO (20T2L, 20T2Y, 30T2Y)
AGC	Available
WDR	18T0H: ON/OFF 20T2L: ON/OFF/AUTO 20T2T: AD WDR* / WDR* 20T2Y: Off/VE 30T2H: OFF/AD WDR/ WDR, 90dB 30T2Y: Off/VE
EIS	Supported (30T2H, 30T2Y)
BLC	ON/OFF
Defog	Available
Others	18T0H: Sharpness adjustable; 20T2L: sharpness, contrast, brightness, saturation adjustable, slow AE, chroma suppress, edge color suppress; 20T2T: Sharpness adjustable, slow AE, hue adjustable 20T2Y: Sharpness adjustable, slow AE, high sens, high resolution, color hue, saturation, HLC level, HLC mask level 30T2H: Sharpness adjustable, slow AE, brightness, HLC 30T2Y: Sharpness adjustable, slow AE, high sens, high resolution, color hue, saturation, HLC level, HLC mask level
Pan/Tilt Functions	
Presets	1~255
Patterns	4
AutoPans	4
Normal Tours	6 groups (each tour can be associated with 14 actions, including Preset 1~32, Pattern 1~4, or AutoPan 1~4)
Home Return	Available
Timed Tours	Available
Auto Scan	Available
Motion Detection	4 areas
Alarm	2 alarm inputs, 1 relay output (reserved with 7 inputs and 2 outputs)
Area Zoom	Available
Web Server	Available
Upgrade Online	Available
IR Illuminator	
Wavelength	850nm
Illumination Distance	150m
Control Mode	ON/OFF/AUTO
Consumption Adjustment	Available, manual
Video	
Compression	H.264 high profile/M-JPEG
Max. Resolution	1280×720 @ 30fps (18T0H) 1920×1080 @ 30fps (20T2L, 20T2T, 30T2H, 20T2Y, 30T2Y)
Bit Rate	Variable bit rate Constant bit rate: 256Kbps ~ 10000Kbps
Network Delay	<260ms
Audio	
Compression	G.711-A, G.711-U

## Technical specifications (continued)

Sampling Rate	8K, 16K
Port	1 input, linear level, impedance: 1k $\Omega$ ; 1 output, linear level, impedance: 600 $\Omega$
<b>Storage</b>	
Memory	Built-in SD card slot
<b>IP</b>	
Network Port	1* 10M/100M self-adaptive Ethernet Port, RJ-45
Network Protocol	IPv4/IPv6, TCP, UDP, IGMP, DHCP, FTP, SNMP(V3), SMTP, NTP, RTP, RTSP, RTCP, HTTP, HTTPS, TSL, SSL, 802.1X, QoS, PPPoE, DNS, ARP, ICMP, DDNS, UPnP, IP Filter
<b>Mechanical</b>	
Variable Speed	Pan: 0.1° ~ 180°/s; Tilt: 0.1° ~ 100°/s
Preset Speed	300°/s (max.)
Rotation Angle	Pan: 360°; Tilt: 0° ~ 180° Auto Flip
Preset Accuracy	<0.1°
Motor	Stepping motor
<b>Electrical</b>	

Power Supply	24VAC/24VDC self-adaptive
Power Consumption	<35W (IR OFF) <65W (IR ON)
Surge Protection	Yes, $\pm$ 4000V
<b>Environmental</b>	
Operating Temperature	-40°F ~ +140°F (-40°C ~ +60°C)
Operating Humidity	0 ~ 90%RH (non-condensing)
Mounting	Wall, pole and corner
<b>Physical</b>	
Unit Dimensions (HxD)	14.6" x $\Phi$ 9.04" (370.7mm x $\Phi$ 229.6mm)
Box Dimensions (LxWxH)	19.09"x11.02"x11.81"(485mmx280mmx300mm)
Net Weight	12.79lbs(5.8kg)
Gross Weight	16.76lbs(7.6kg)
<b>Certifications and Approval</b>	
Product Certifications	CE <sup>1</sup> , FCC <sup>2</sup> , UL <sup>3</sup> , IK10 <sup>4</sup> , ISO 9001: 2008, IP66 <sup>5</sup>

Certificate No.: <sup>1</sup>CTL1407171657-EC; <sup>2</sup>CTL1407171657-FC; <sup>3</sup>20150403-E232008; <sup>4</sup>ES150611008RE; <sup>5</sup>TRS15070136

## Ordering information

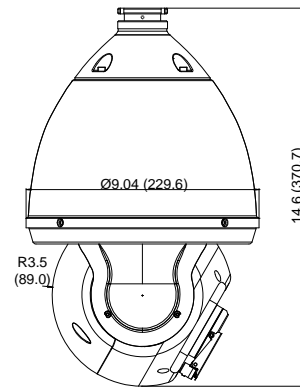
V1772NR-18T0UB3H	HD Megapixel IR IP PTZ Domes, 1.0Mpx, 18X, bracket outdoor, 24VDC/24VAC w/audio/alarm/RS485
V1772NR-20T2UB3L	HD Megapixel IR IP PTZ Domes, 2.0Mpx, 20X, bracket outdoor, 24VDC/24VAC w/audio/alarm/RS485
V1772NR-20T2UB3T	HD Megapixel IR IP PTZ Domes, 2.0Mpx, 20X, bracket outdoor, 24VDC/24VAC w/audio/alarm/RS485
V1772NR-20T2UB3Y	HD Megapixel IR IP PTZ Domes, 2.0Mpx, 20X, bracket outdoor, 24VDC/24VAC w/audio/alarm/RS485
V1772NR-30T2UB3H	HD Megapixel IR IP PTZ Domes, 2.0Mpx, 30X, bracket outdoor, 24VDC/24VAC w/audio/alarm/RS485
V1772NR-30T2UB3Y	HD Megapixel IR IP PTZ Domes, 2.0Mpx, 30X, bracket outdoor, 24VDC/24VAC w/audio/alarm/RS485

### Accessories

V1761K	Wall Mount, 10 inch horizontal
V1762K	Corner Mount, 10 inch horizontal
V1763K	Pole Mount, 10 inch horizontal

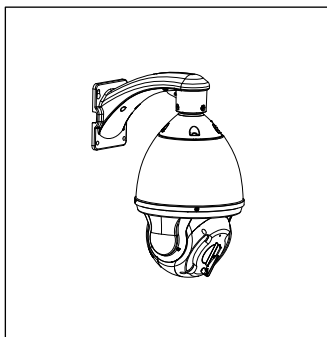
**Note:** Mounting brackets shall be ordered.

## Dimensions

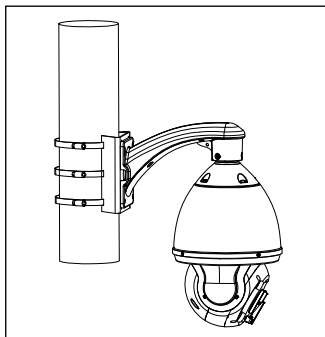


(Unit: inch, in the parentheses is mm)

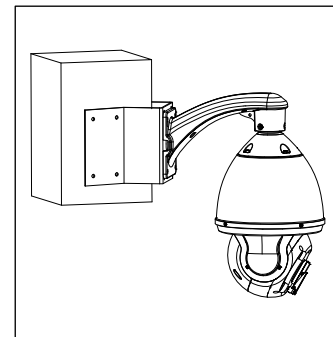
## Mounting



Wall Mounting



Pole Mounting



Corner Mounting